

Datasheet

Vibration Level Switch **L10**

Introduction

By using vibration technology, L10 is a point level switch good bulk solids level monitor. Operation of L10 is not affected by flow, turbulence. No need to calibration, reliable performance make it ideal for limit level measurement like dry run protection, empty or full monitoring etc..



Characteristics

Not affected by foam, turbulence or bubbles

No need calibration

Easy to install - setup without medium

Flange or thread connection

Low maintenance

Applications

Over-fill protection

Tank, vessel empty or full monitor

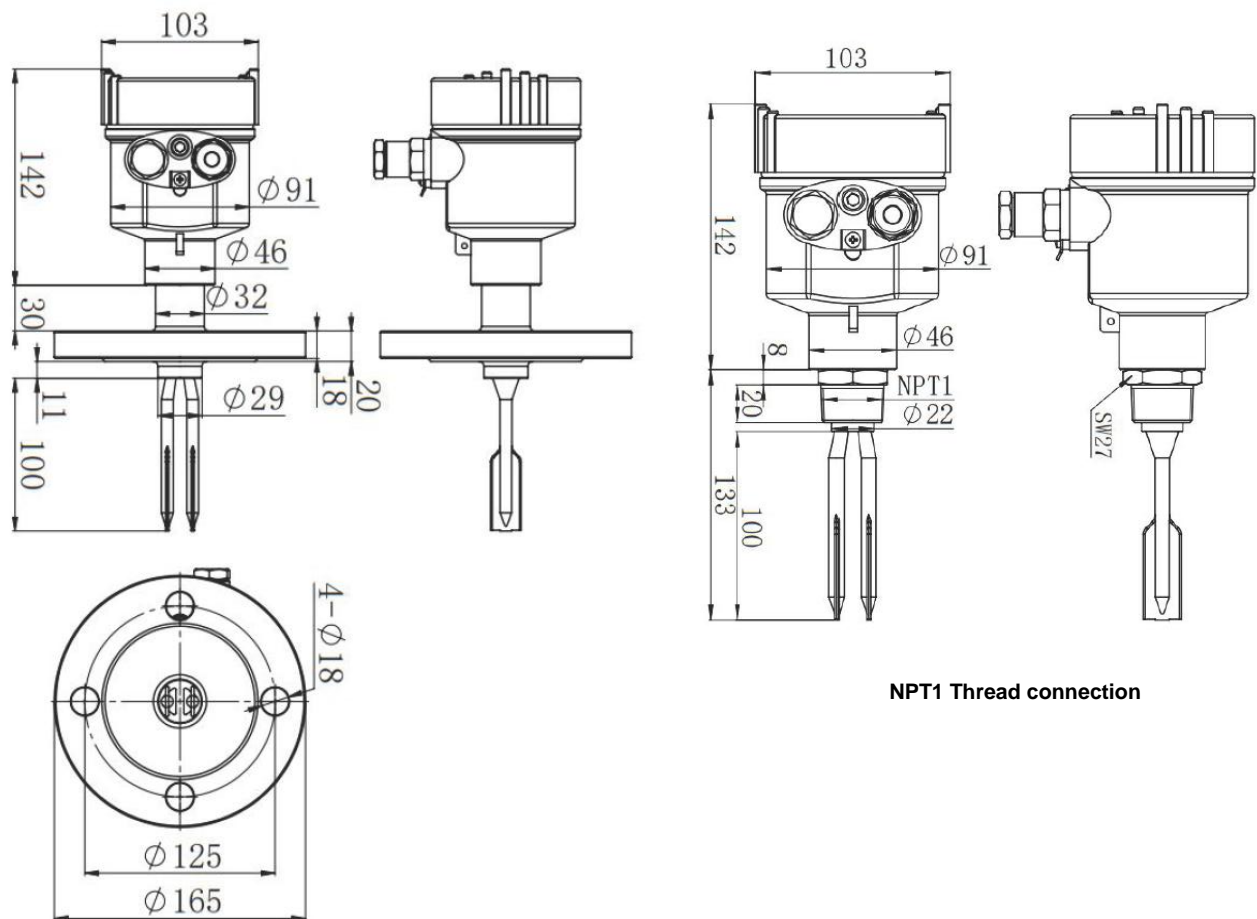
Chemical processing

.....

Specifications

Tuning fork length	100 mm / 4"
Tuning fork material	Stainless steel 304 Optional stainless steel 316L
Power supply	24 VDC
Operation temperature	Tuning fork: -40...130°C / -40...266°F (Optional -40...220°C / -40...428°F) Transmitter: -40...80°C / -40...176°F
Medium density	Liquid: $\geq 0.7\text{g/cm}^3$ Solid: $\geq 0.1\text{g/cm}^3$
Process pressure	< 2.0MPa / 290psi (other on request)
Process connection	Thread, Flange
Output	Relay (DPDT)
Protection class	IP65

Dimensions in mm



DN50 Flange connection

NPT1 Thread connection

Order Code

Example: L10-ABG1L

1. L10-

L10- Vibration level switch

2. Application

A Standard
B High temperature

3. Tuning fork length

B Standard 100mm
L Customization L-xxx (xxx means length in mm)

4. Process connection

NPT1 Thread NPT1
G3/4 Thread G3/4
G1 Thread G1
G1-1/2 Thread G1-1/2
F50 Flange DN50

5. Medium

L Liquid
S Solid